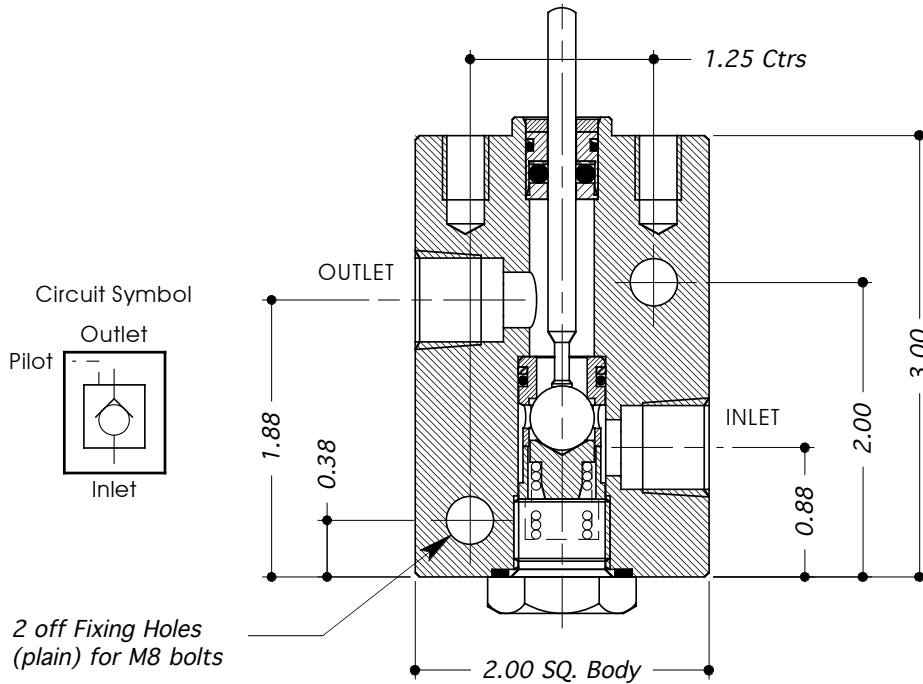


PILOT OPERATED CHECK VALVE TYPE: V1-37



- 2 POSN / 2 PORTED STAINLESS STEEL (316 / 1.4404) VALVE WITH ACTUATOR OPTIONS.
- SUITABLE FOR LIQUID OR GAS USE.
- FITTED WITH "HARD" OR "SOFT" SEATS.
- ACTUATION TYPE - SEE SECTION 12 FOR DETAILS.
- ALL DIMENSIONS IN INCHES.



TECHNICAL SPECIFICATION					ORDERING EXAMPLE
Valve Type:	V1-37				V1-37
Porting / Connection Options:	P = BSP (Parallel) N = NPT (Taper) M = Manifold				N
Actuator Options	Low Press. Pilot:	Types: H3 (500 psi Max)			H3
	High Press. Pilot:	Types: H0 (10K psi Max), H1 (10K psi Max), H3 (500 psi Max)			
	Mechanical:	Types: L, DL			
Soft Seated Valve: Gas	Torlon - G				G
Hard Seated Valve: Liquid		Stainless Steel - 431/1.4057 (no ordering code required)			
Max. Working Press: Gas	5,000 psi				5K
Max. Working Press: Liquid		5,000 psi	10,000 psi	20,000 psi	
Pilot Ratio:	Act.Type: H0	10.6 : 1	4.7 : 1	10.6 : 1	18.8 : 1
	Act.Type: H1	3.1 : 1	1.4 : 1	3.1 : 1	5.4 : 1
	Act.Type: H3	110 : 1	49 : 1	110 : 1	196 : 1
Port Size:	3/8"				
Seal Material:	Viton (other materials available by request)				
CV Value:	0.75	0.99	0.75	0.28	
Dry Weight: (kg)	1.75				
Working Temperature Range:	-10°C to +120°C				